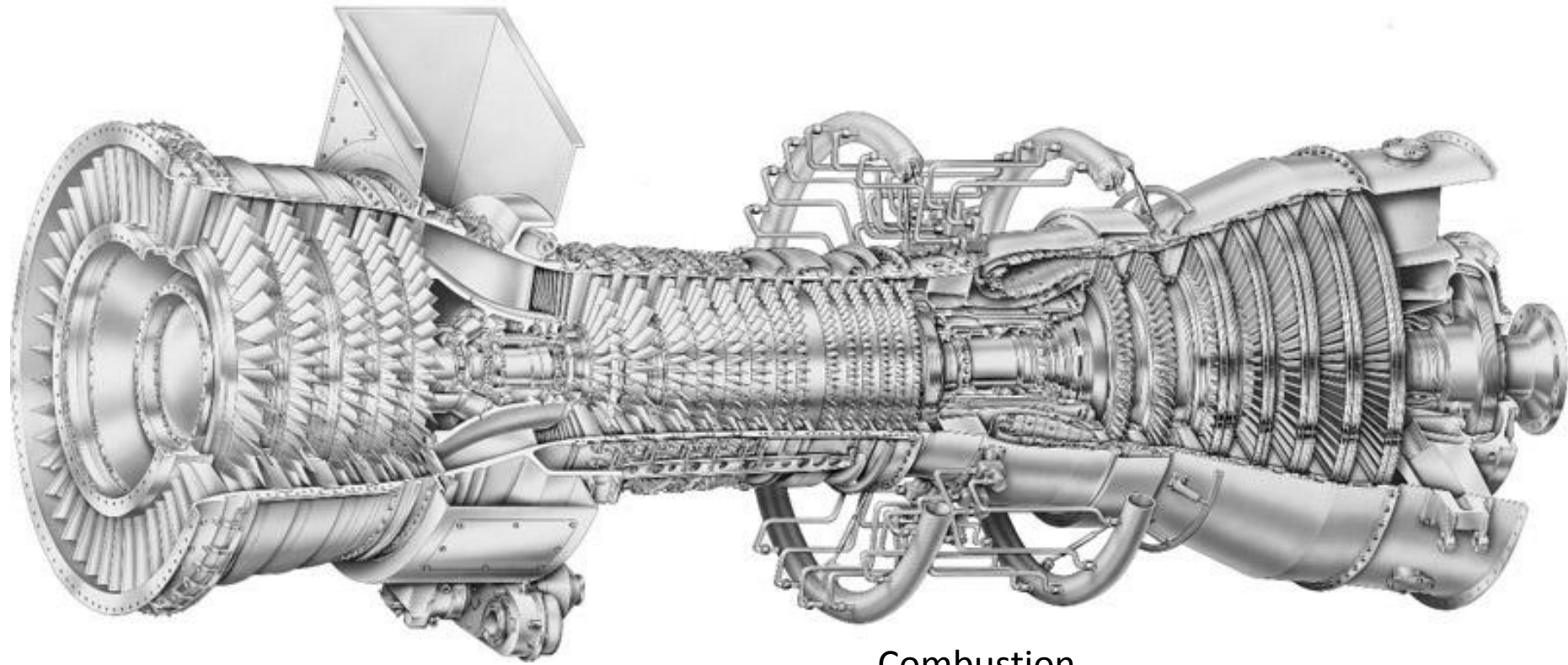


ME 18b Thermodynamics

Introduction to Gas Cycle Processes

Mike Pauken

Gas Turbine Jet Engine System

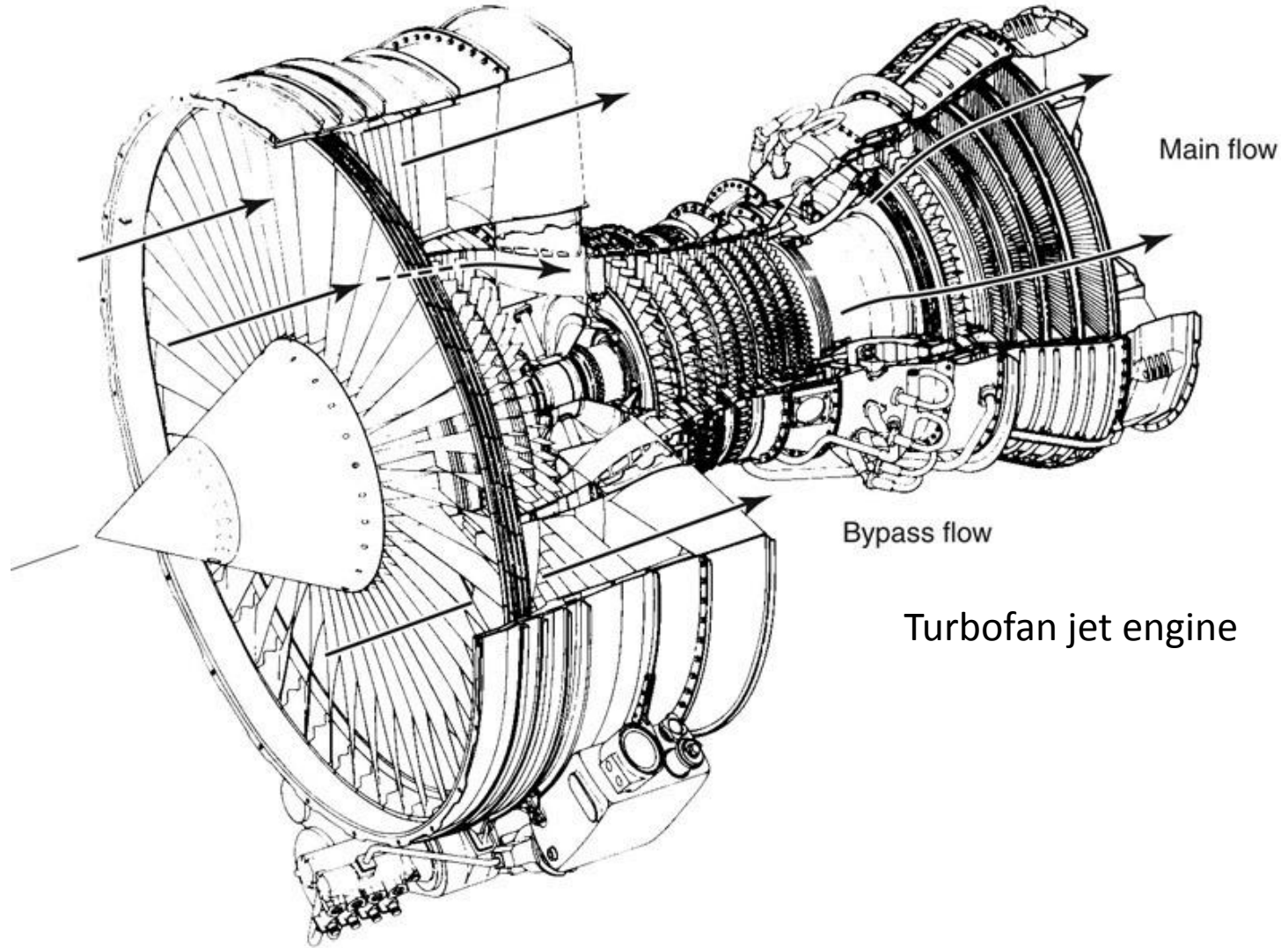


Compressor section

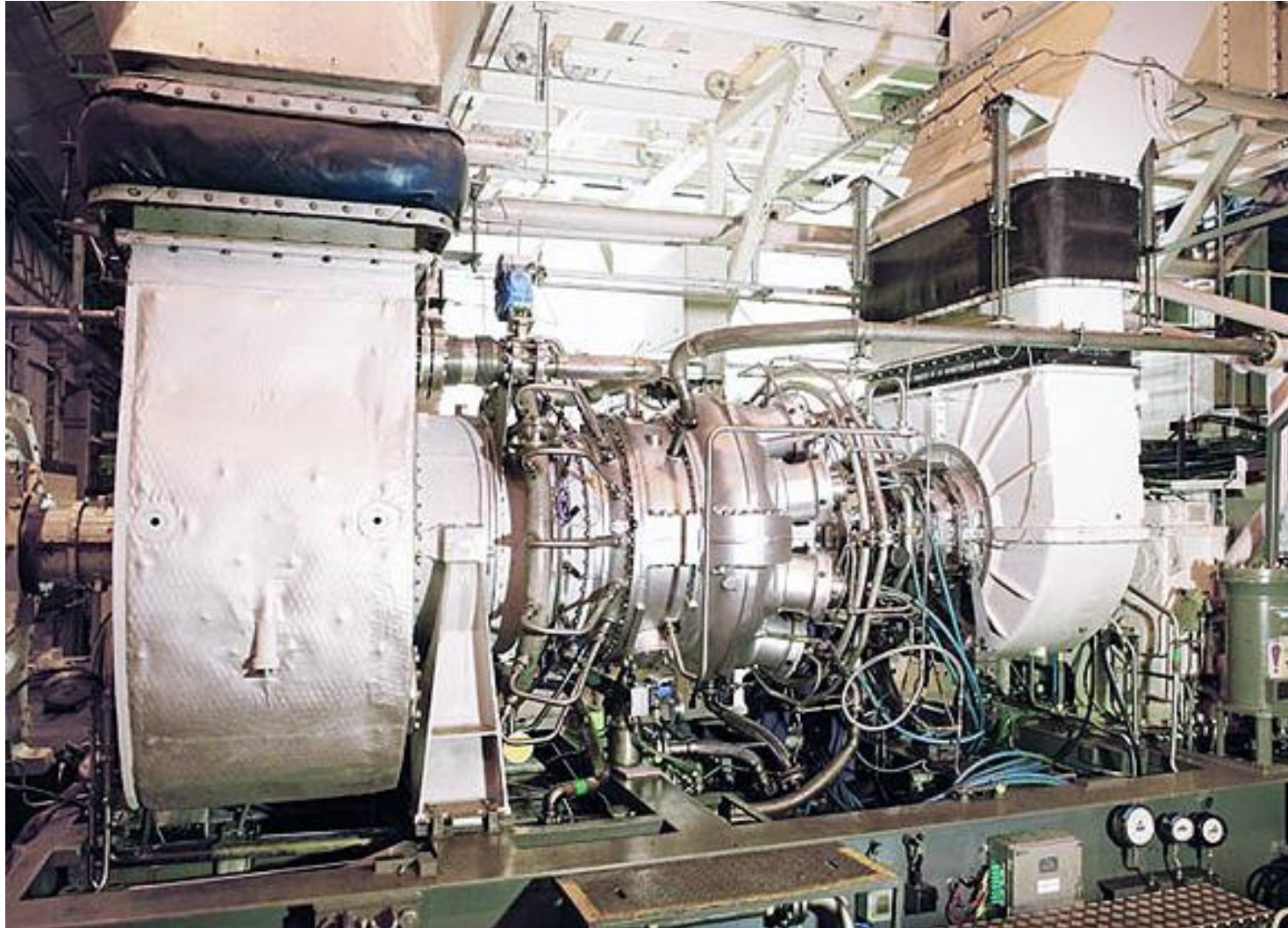
Combustion
Chamber

Turbine Section

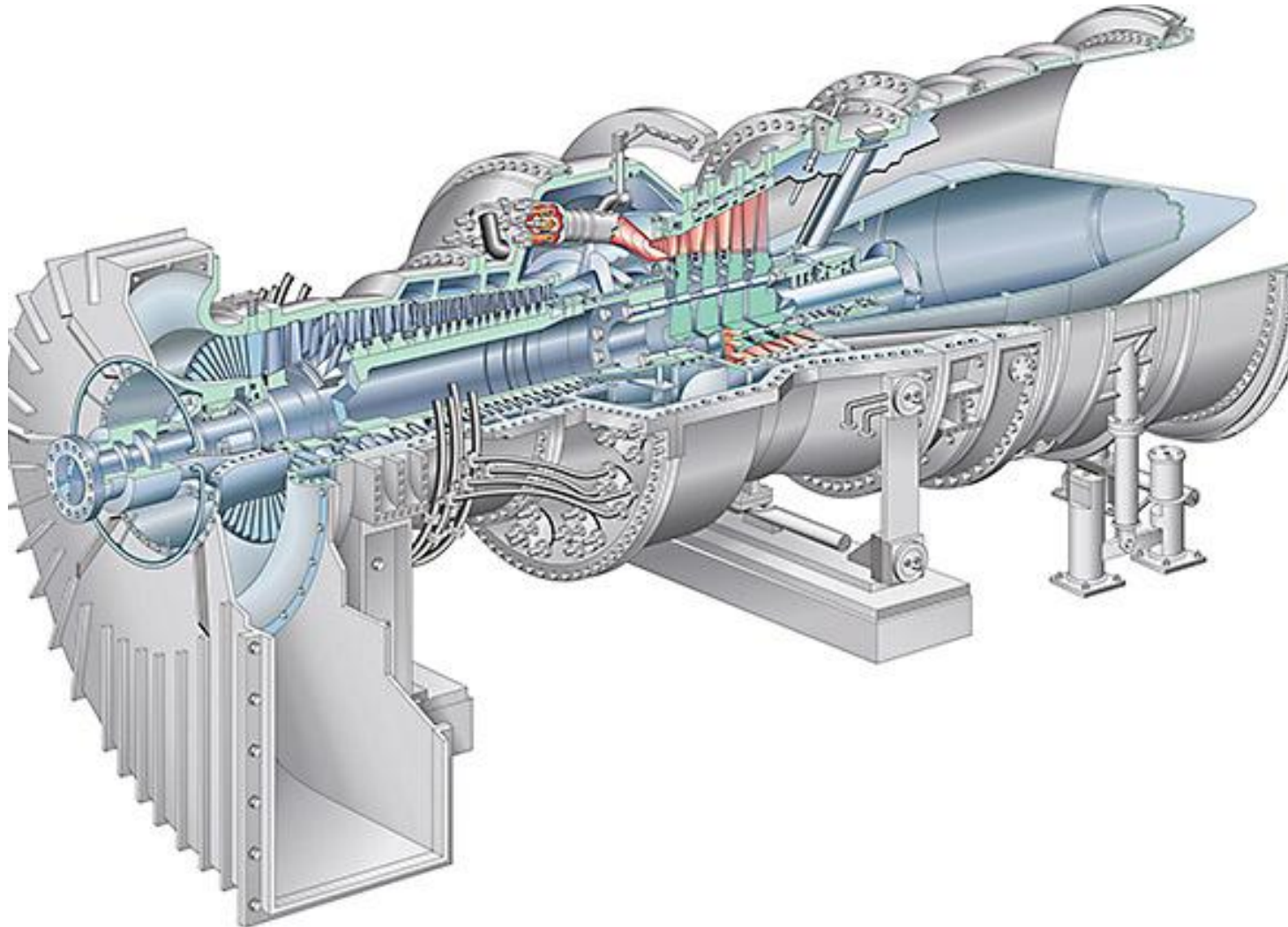
Basic Residential Air Conditioning System



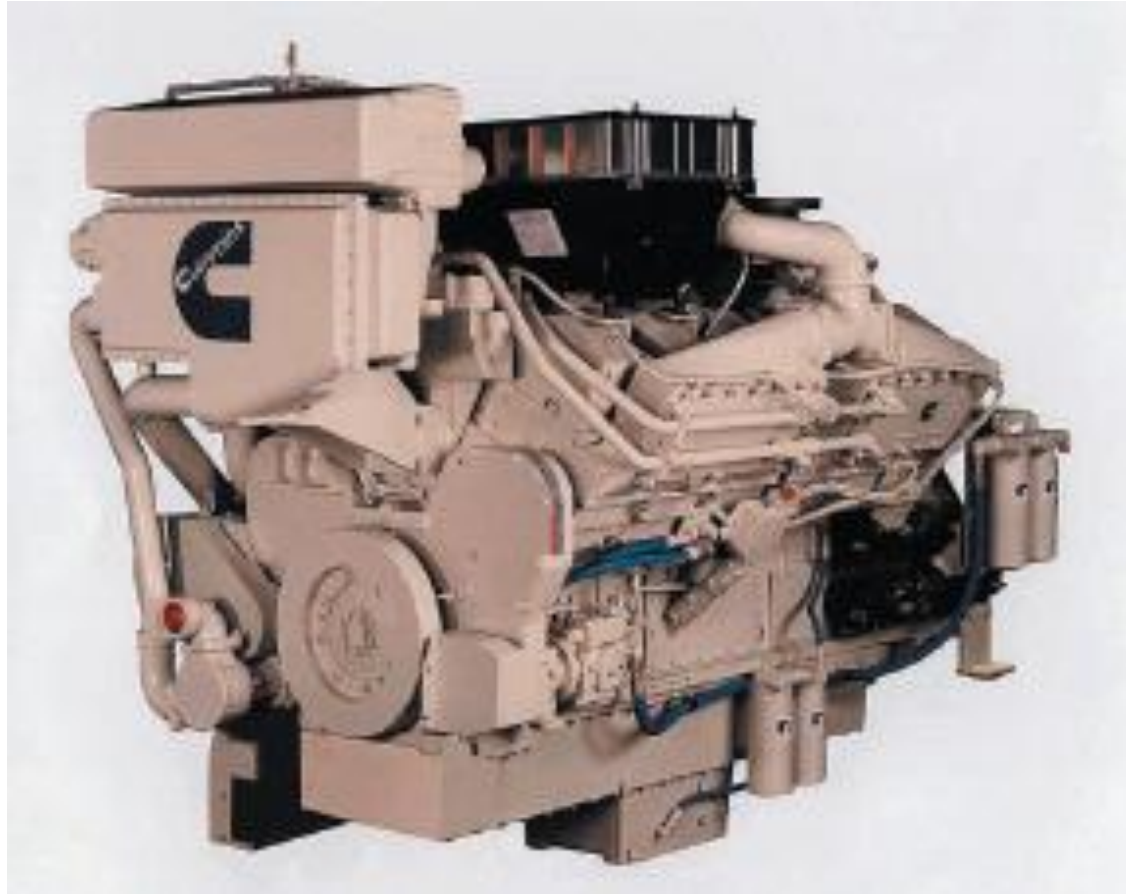
Installed Gas Turbine Power Plant



Section view of gas turbine power plant



Marine Diesel Engine, 1300 horsepower, V-12



Gasoline Engine, Otto Cycle

