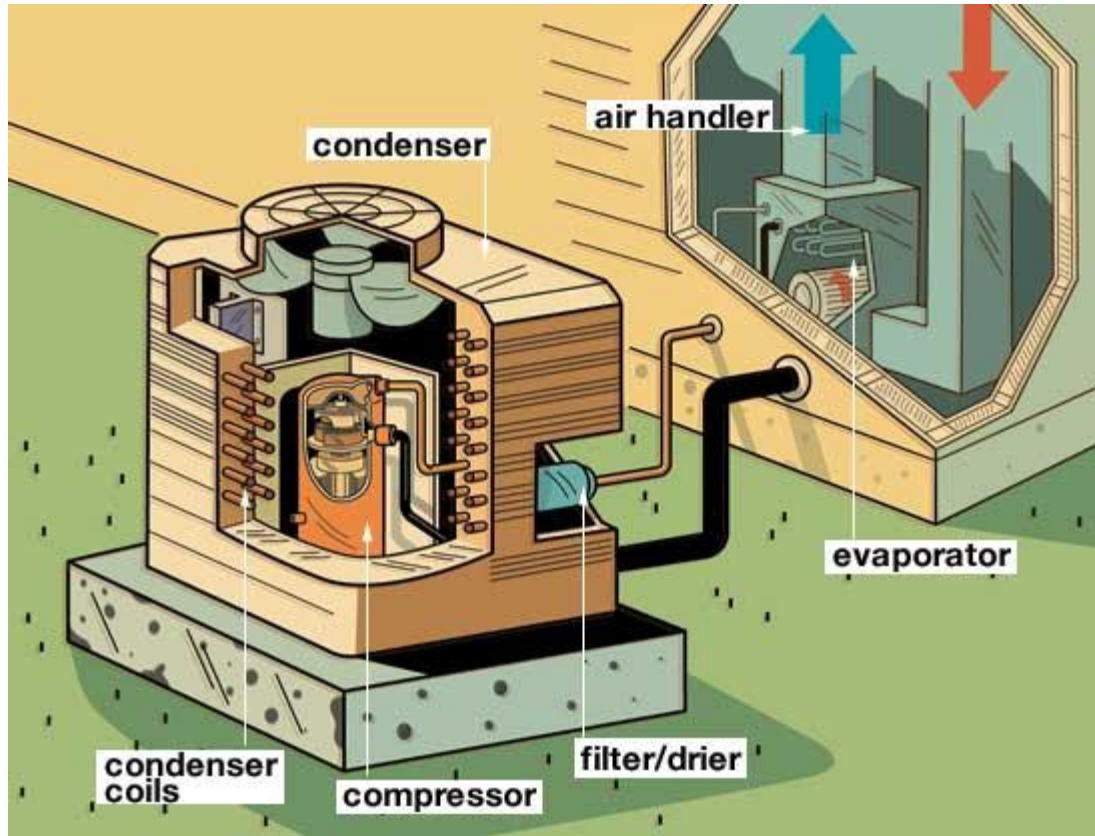


# ME 18b Thermodynamics

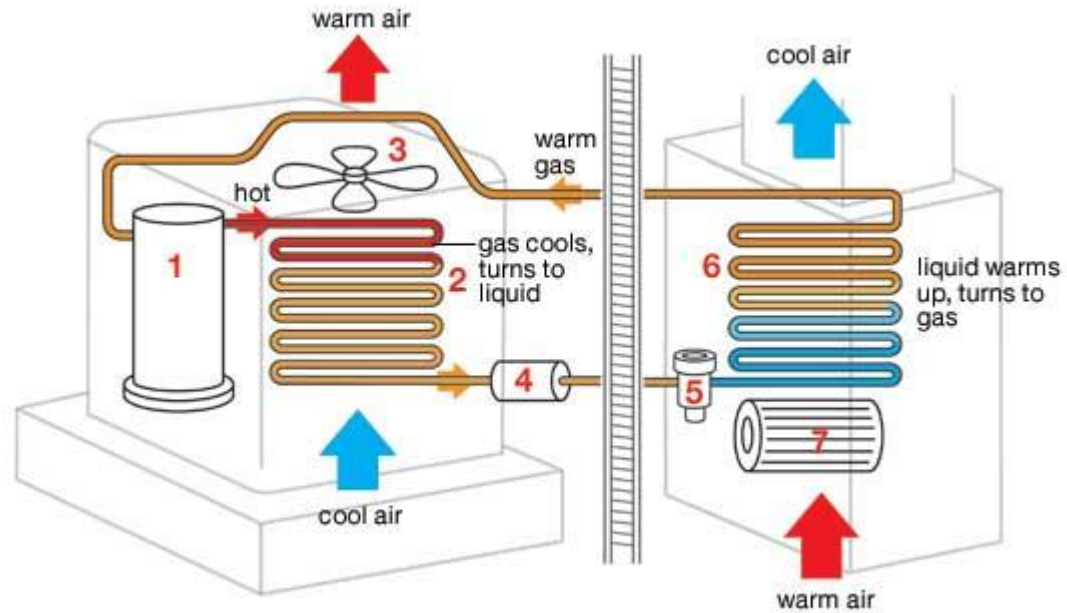
## Introduction to Refrigeration Cycle Processes

Mike Pauken

# Basic Residential Air Conditioning System



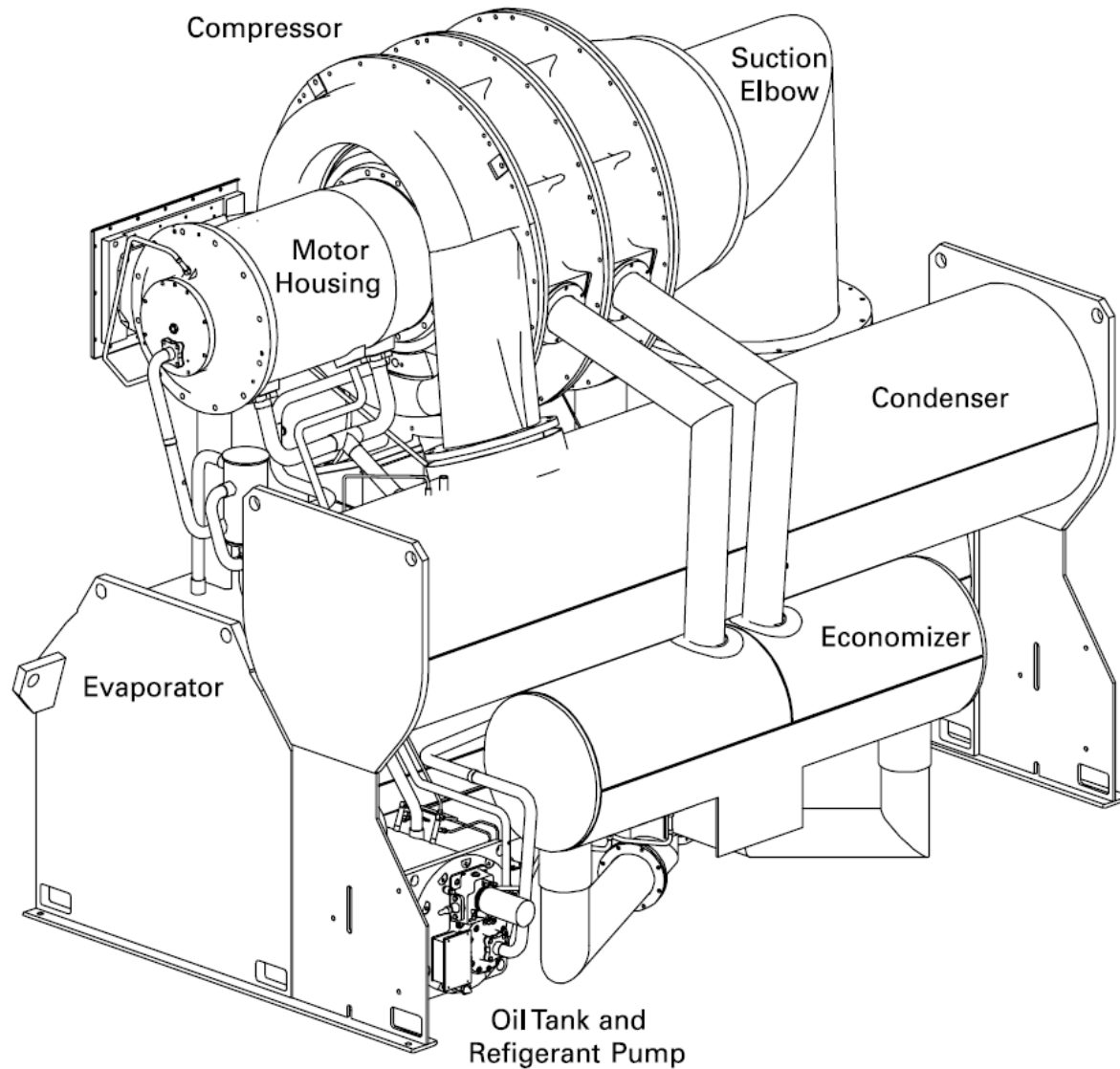
# Basic Residential Air Conditioning System



# Commercial Centrifugal Compressor Chiller Plant



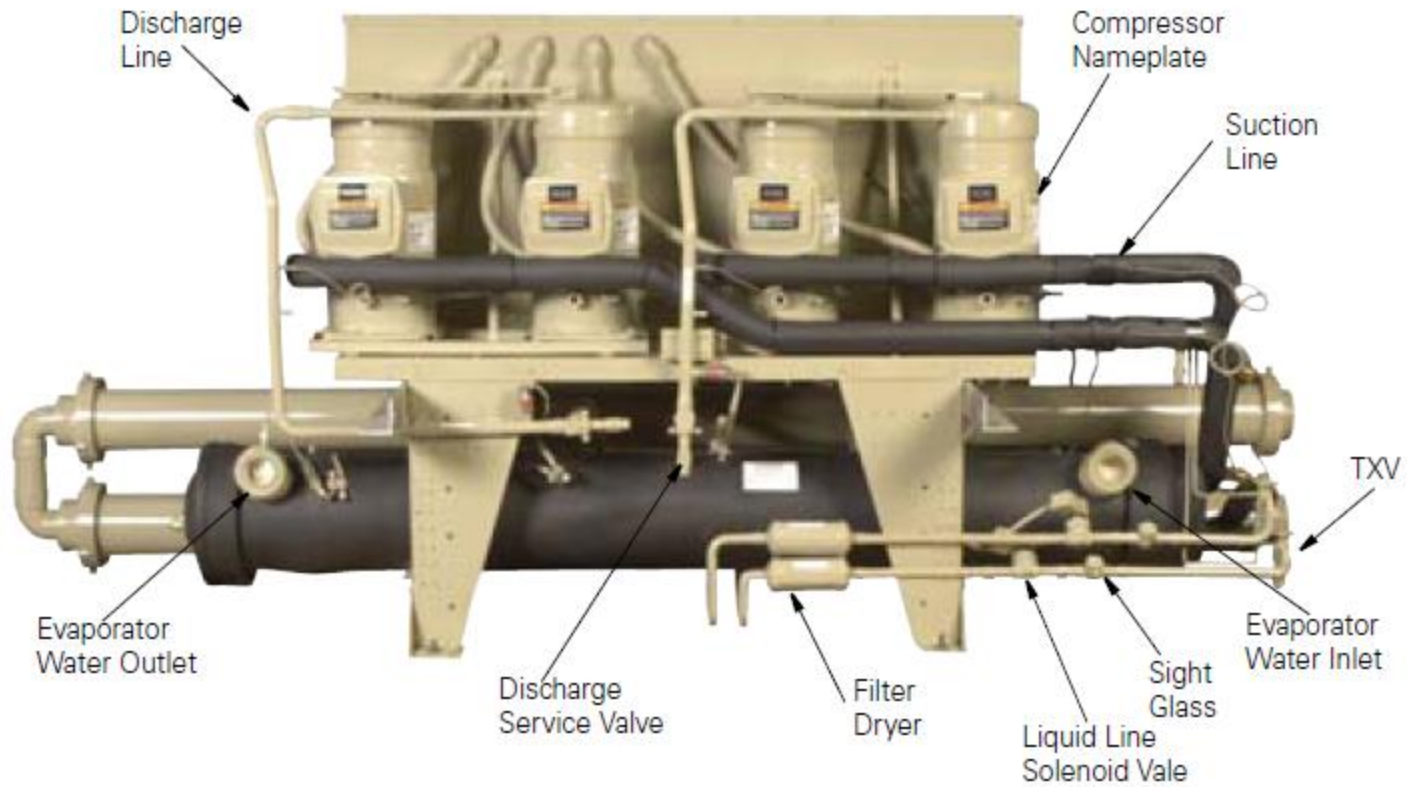
# Commercial Centrifugal Compressor chiller plant



# Commercial Scroll Compressor chiller plant



# Commercial Scroll Compressor chiller plant



# Rotary Helical Screw Compressor



# Centrifugal Compressor Impellor



# Scroll Compressor



Gas trapped  
in the scrolls'  
outer arms...



...is pushed  
toward the  
center...



...where it's  
tightly  
compressed